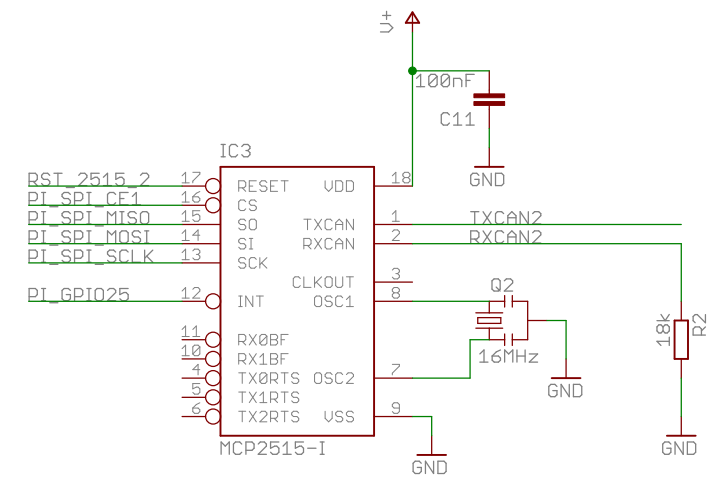
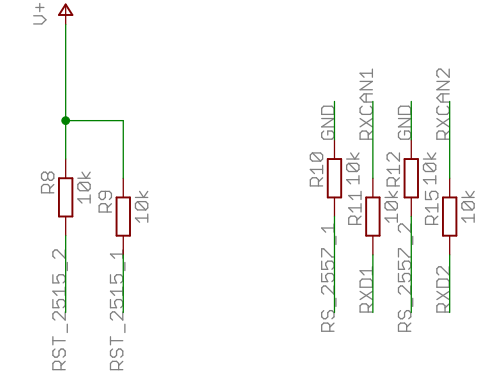
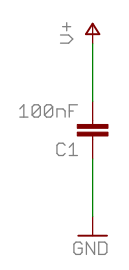


CANBUS CHANNEL 1

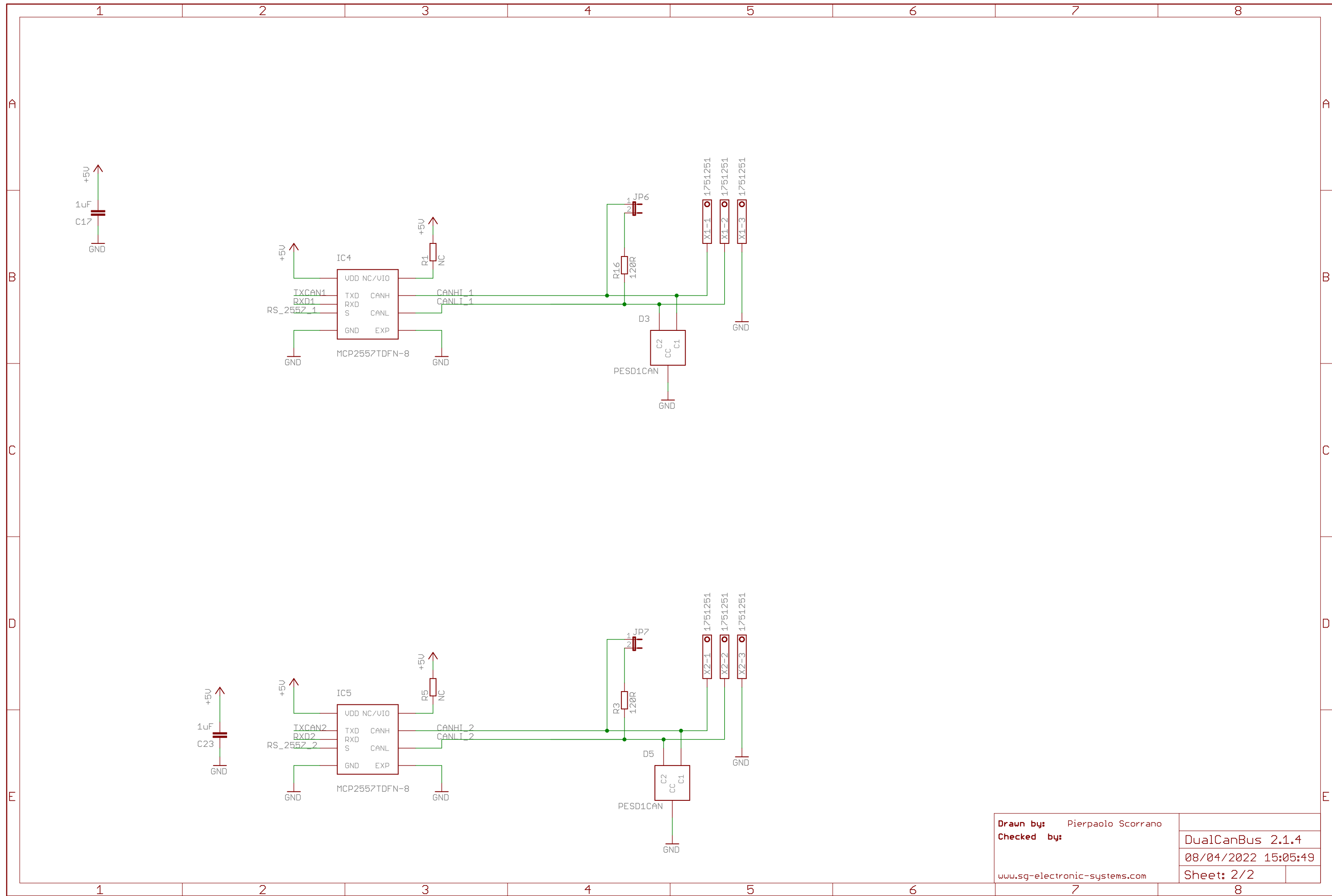


CANBUS CHANNEL 2



Drawn by:	Pierpaolo Scorrano		
Checked by:		DualCanBus 2.1.4	
		08/04/2022 15:05:49	
www.sg-electronic-systems.com		Sheet: 1/2	v0.1





Drawn by:	Pierpaolo Scorrano
Checked by:	DualCanBus 2.1.4
	08/04/2022 15:05:49
www.sg-electronic-systems.com	Sheet: 2/2