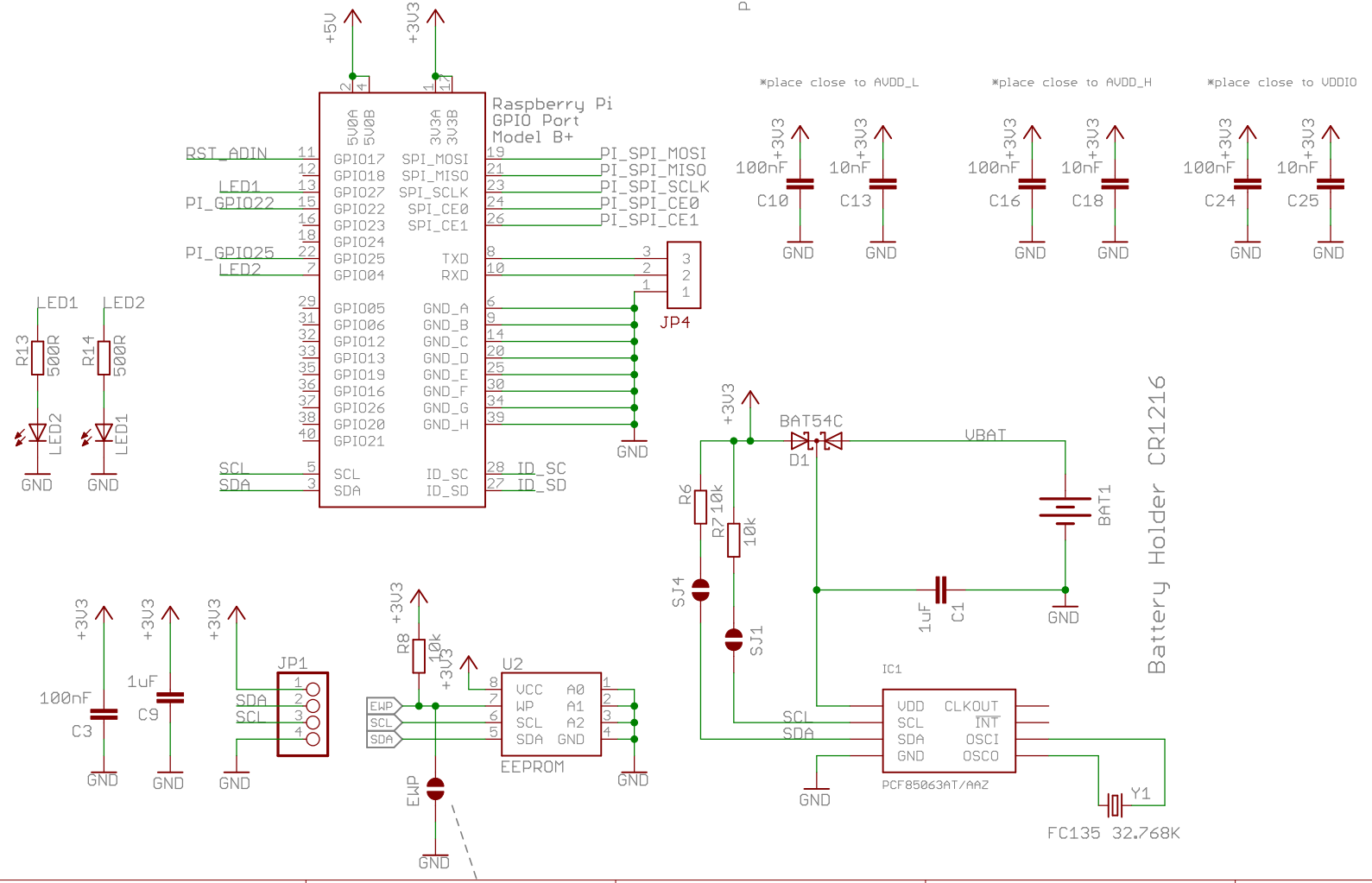
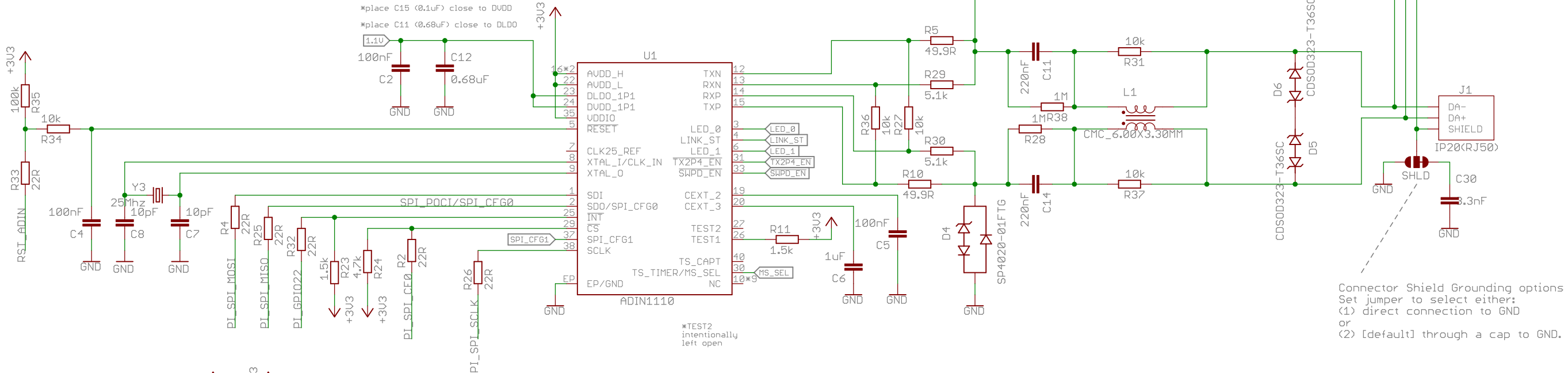


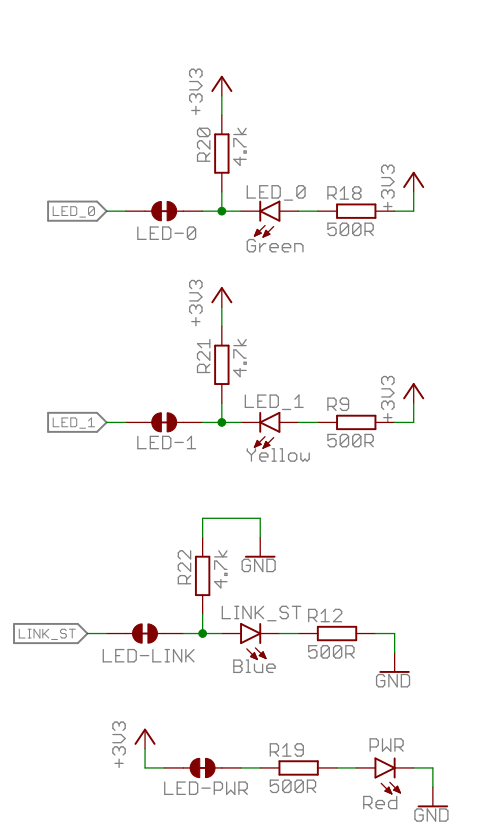
ADIN1110 BASE10-T1L ETHERNET MAC-PHY

UDD Ranges
 3.13V - 3.46V [2.4V p-p or 1.0V p-p transmit level]
 1.71V - 3.46V [1.0V p-p transmit level]

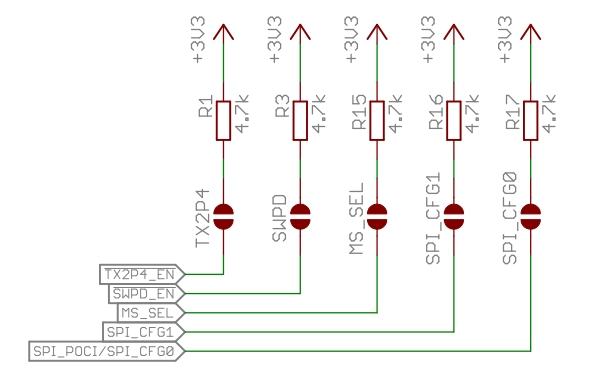


STATUS LEDs

Cut each jumper to disable each LED



Configuration Pins/Jumpers



*All hardware config pins default low with internal pull down resistors

See datasheet page 16 for all available options.

Derived from SparkFun
 MicroMod Function ADIN1110
 Rev v11 by Pete Lewis



Drawn by: Pierpaolo Scorrano		
Checked by:		
www.sg-electronic-systems.com	SPE V1.0.0	
	01/08/2023 21:30:06	
	Sheet: 1/1	v0.1

EEPROM Write Protect
 Open (default, HIGH): read allowed, write prohibited
 Closed (LOW): read & write allowed